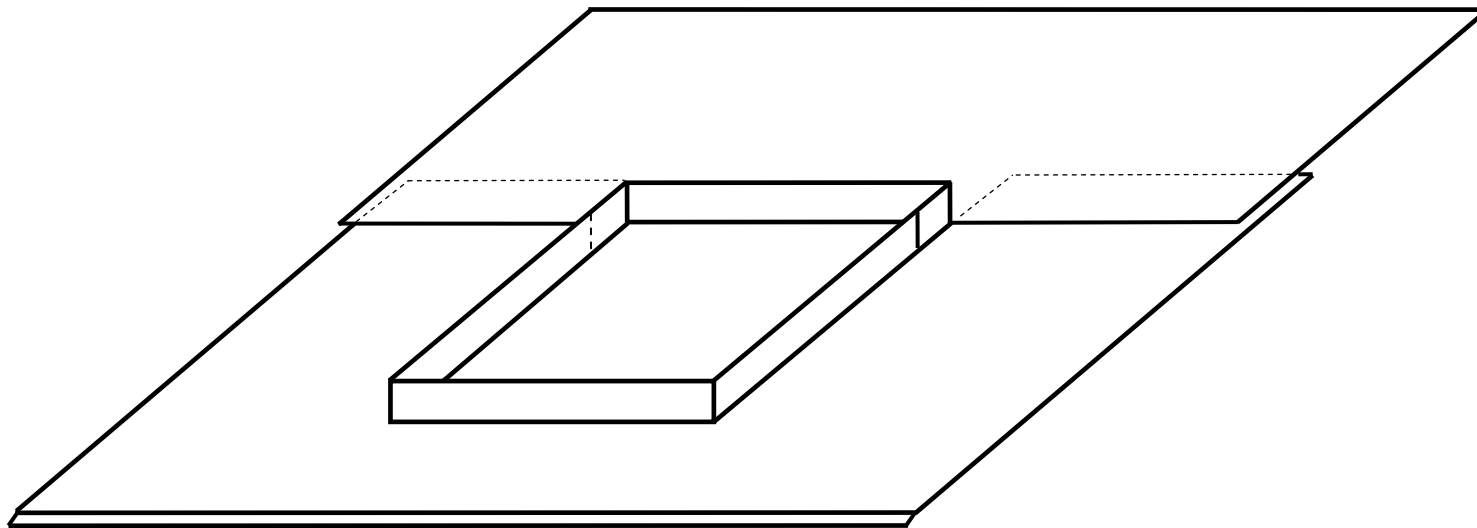


Suggested example of “custom-built” base flashing

These diagrams and pictures represent “suggestions” only and should not be used without first consulting your builder/installer .



NSW Showroom & Display:
78 Henderson Road,
(PO Box 93)
Alexandria NSW 2015
Ph: (02) 8565-6000
Fax: (02) 9550-3289

A.C.N. 001 841 541

VIC Showroom & Display:
HIA Home Ideas Centre
1686 Princes Hwy
Oakleigh East VIC 3168

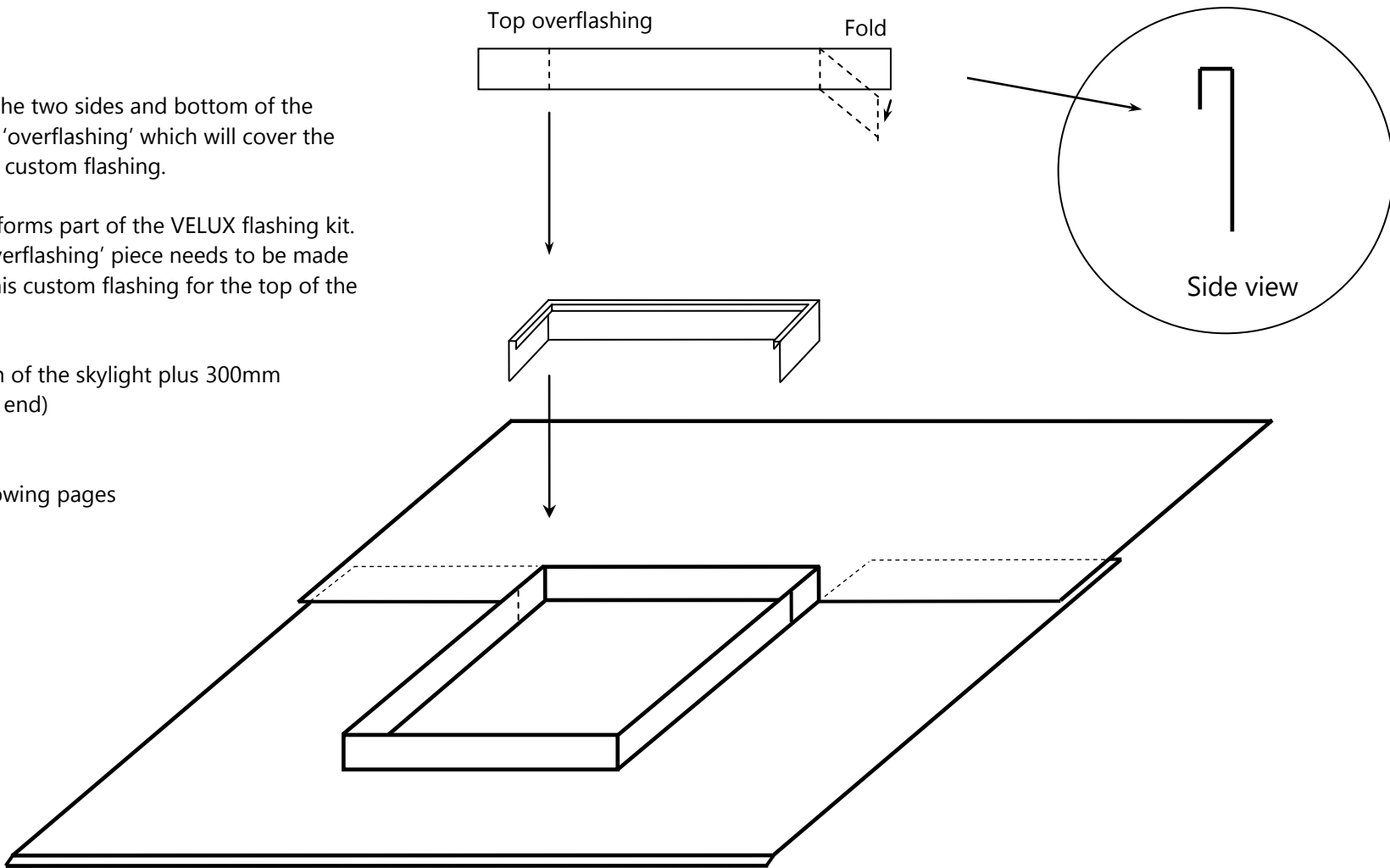
Sales and Technical Service 1300 859-856

On a VELUX skylight the two sides and bottom of the frame have their own 'overflashing' which will cover the extended sides of the custom flashing.

The top overflashing forms part of the VELUX flashing kit. Therefore an extra 'overflashing' piece needs to be made in conjunction with this custom flashing for the top of the skylight.

This piece is the width of the skylight plus 300mm (150mm fold on each end)

See examples on following pages



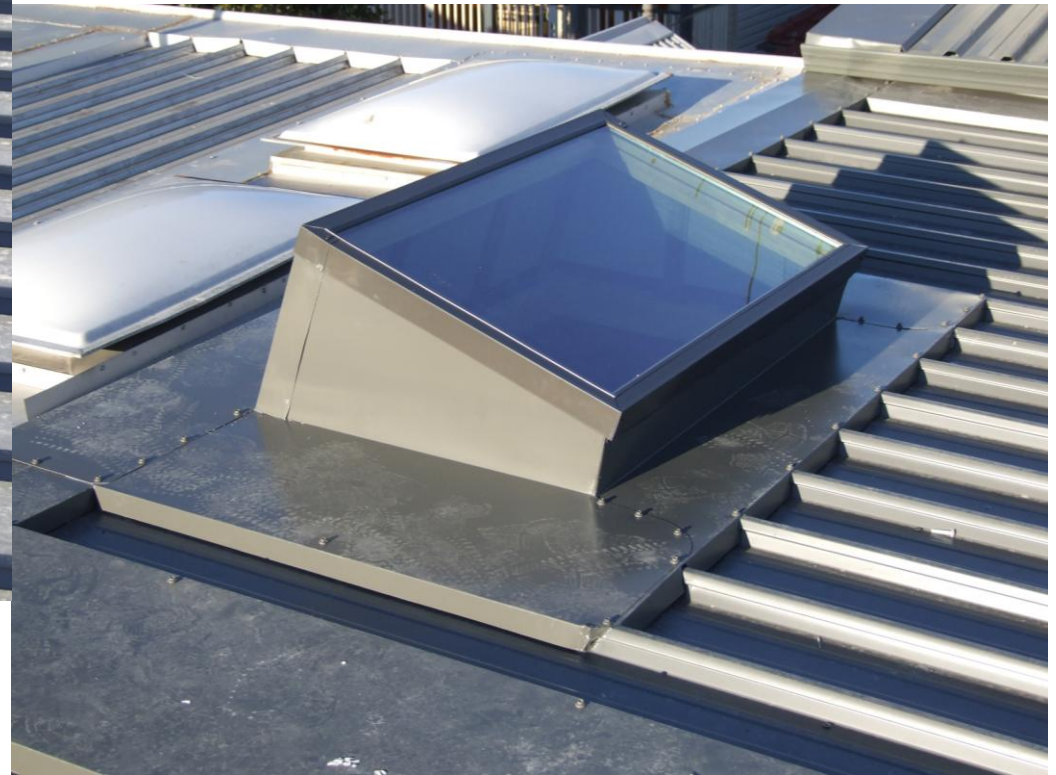
NSW Showroom & Display:
78 Henderson Road,
(PO Box 93)
Alexandria NSW 2015
Ph: (02) 8565-6000
Fax: (02) 9550-3289

VIC Showroom & Display:
HIA Home Ideas Centre
1686 Princes Hwy
Oakleigh East VIC 3168

Sales and Technical Service 1300 859-856

Example 1 – “build-up” installation.

Flashing must have requisite ‘height’ to accommodate raised skylight installation.



NSW Showroom & Display:
78 Henderson Road,
(PO Box 93)
Alexandria NSW 2015
Ph: (02) 8565-6000
Fax: (02) 9550-3289

A.C.N. 001 841 541

VIC Showroom & Display:
HIA Home Ideas Centre
1686 Princes Hwy
Oakleigh East VIC 3168

Sales and Technical Service 1300 859-856

Example 2 – ‘standard’ installation. Skylight is at the same pitch as the roofing material.

1



5



2



3



4



NSW Showroom & Display:
78 Henderson Road,
(PO Box 93)
Alexandria NSW 2015
Ph: (02) 8565-6000
Fax: (02) 9550-3289

VIC Showroom & Display:
HIA Home Ideas Centre
1686 Princes Hwy
Oakleigh East VIC 3168

Sales and Technical Service 1300 859-856